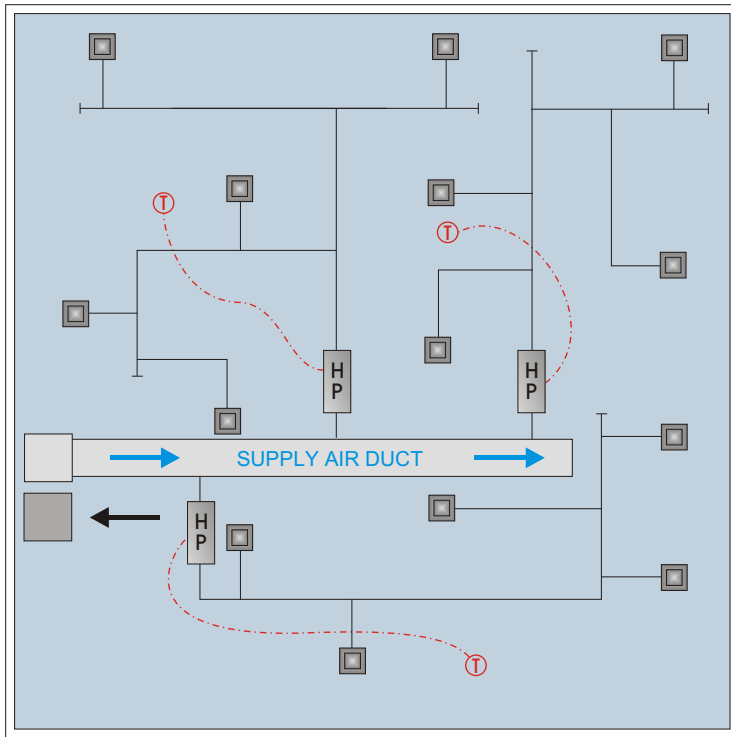
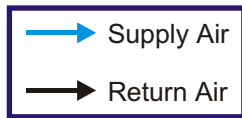


184 Front Street

Building HVAC Schematic



Typical Floor Schematic:
 Wall mounted thermostats control heat pumps, which add or remove heat to achieve the desired temperature.



Building Schematic:
 Cooling tower provides cooling to heat pumps on each floor. Building Automation is controlled from property management office.

